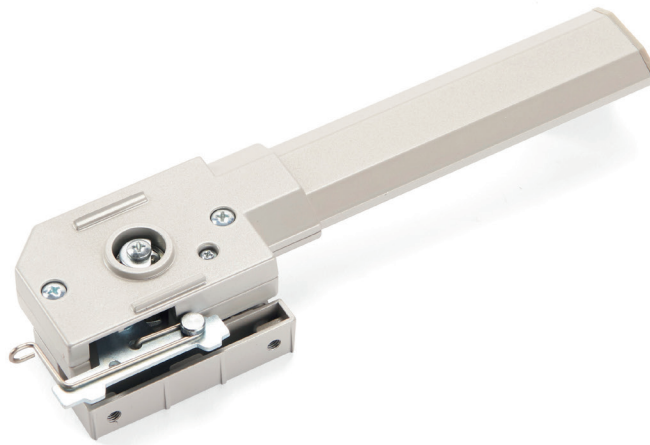


T100

CHAIN OPENER

OPENING STROKE

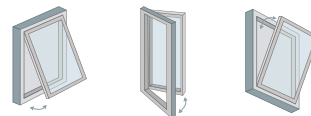
0-250 mm (adjustable)



DESCRIPTION

Manual Chain Opener used to drive open or close a high level or hard to reach window. Maximum opening stroke of 250 mm (adjustable). Can be fitted to most window types Aluminium, Timber or uPVC. Individual or multiple T100 Chain Openers can be controlled from a single T200, T210, T250 or T300 Operator. Various fixing brackets available (each sold separately). Supplied complete with vent bracket.

WINDOW TYPES



APPLICATION



COLOURS

- **Black** RAL 9005
- **Silver** RAL 9006
- **White** RAL 9010

TECHNICAL DATA

Opening Stroke	0-250 mm (adjustable)
Colour	White RAL 9010, Black RAL 9005 or Silver RAL 9006
Delivery Includes	1 x Chain Opener, 1 x Vent Bracket
Min. window width	> 450 mm
Max. window width	< 1000 mm (use multiple openers if wider)

ACCESSORIES

T740B	-	Narrow Fixing Bracket Black
T740G	-	Narrow Fixing Bracket Silver
T740W	-	Narrow Fixing Bracket White
T750B	-	Wide Fixing Bracket Black
T750G	-	Wide Fixing Bracket Silver
T750W	-	Wide Fixing Bracket White
T760B	-	Angled Fixing Bracket Black
T760G	-	Angled Fixing Bracket Silver
T760W	-	Angled Fixing Bracket White
T850NTB	-	Inward Opening Bracket Black
T850NTG	-	Inward Opening Bracket Silver
T850NTW	-	Inward Opening Bracket White

PART CODES

T100NTB	-	T100 Chain Opener Black
T100NTG	-	T100 Chain Opener Silver
T100NTW	-	T100 Chain Opener White

COMPATIBLE WITH



T200
Maxi Operator



T210
Maxi Operator



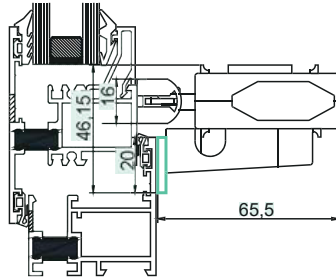
T250
Midi Operator



T300
Mini Operator

**INSTALLATION
EXAMPLES**

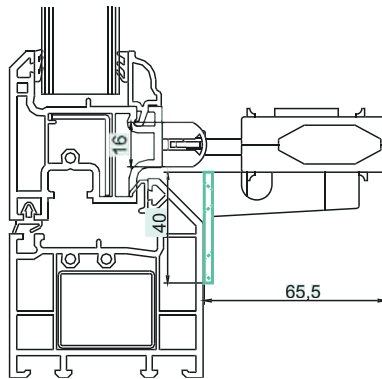
Outward Opening (Aluminium)



T740



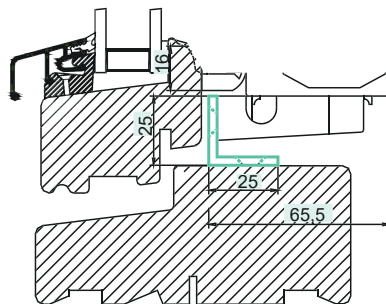
Outward Opening (uPVC)



T750



Outward Opening (Timber)

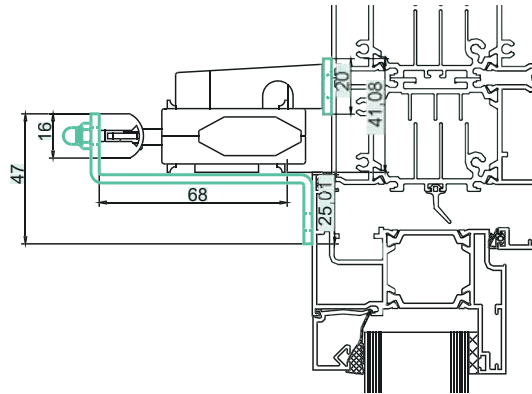


T760



**INSTALLATION
EXAMPLES**

Inward Opening



T850

