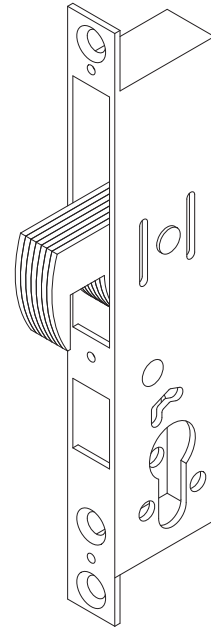
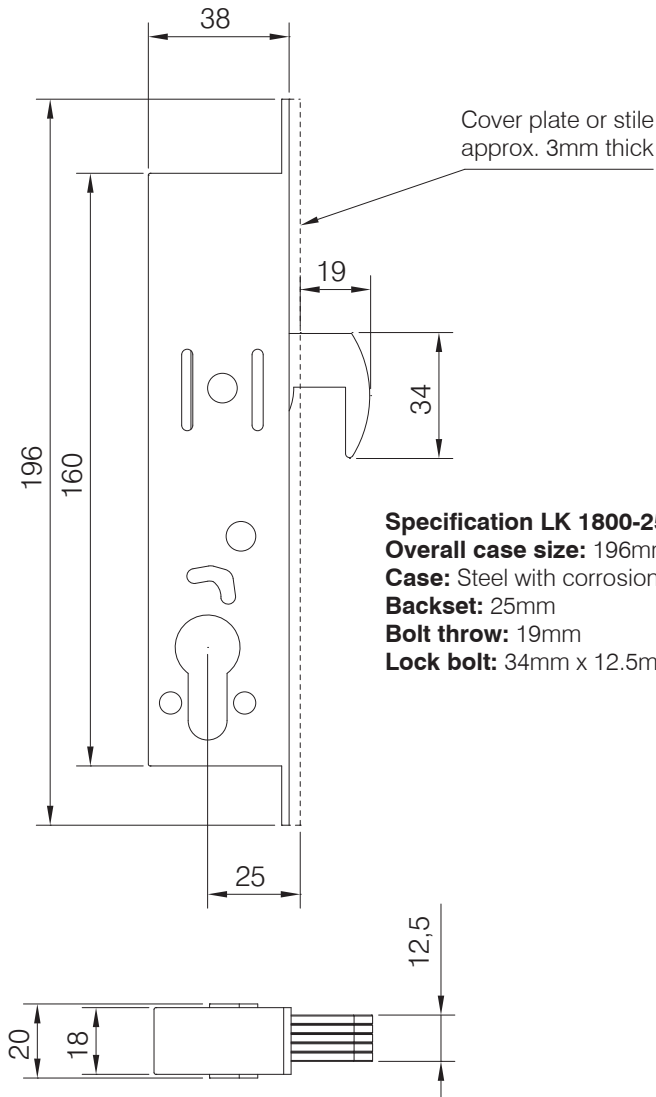


LK-1800-25
Mortice hook lock
25mm backset



Specification LK 1800-25

Overall case size: 196mm x 18mm x 38mm

Case: Steel with corrosion resistant plating

Backset: 25mm

Bolt throw: 19mm

Lock bolt: 34mm x 12.5mm

Accessories

Faceplates

LK-1801-0F - Flat no woolpile - Silver

LK-1801-0R - Radius no woolpile - Silver

LK-1801-1R - Radius with woolpile - Silver

LK-1802-0F - Flat no woolpile - Silver

LK-1802-0R - Radius with woolpile - Silver

Cylinders

LK-1601-3030 - Keyed to differ

LK-1601-3030-S - Keyed alike

LK-1601-3030-SP - Keyed alike in pairs

Mortice hook locks

LK-1800-25-E - 25mm Backset Europrofile

LK-1800-25-R - 25mm Backset Round Cylinder

Mounting bridges

LK-1800-1133 - PAIR

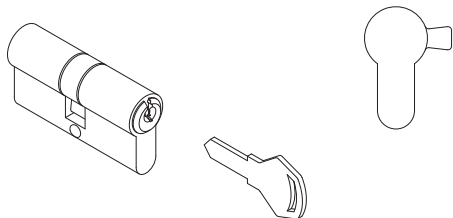
Armoured strike

LK-1800-52

Trim strike

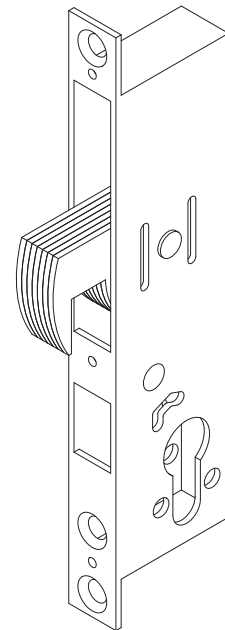
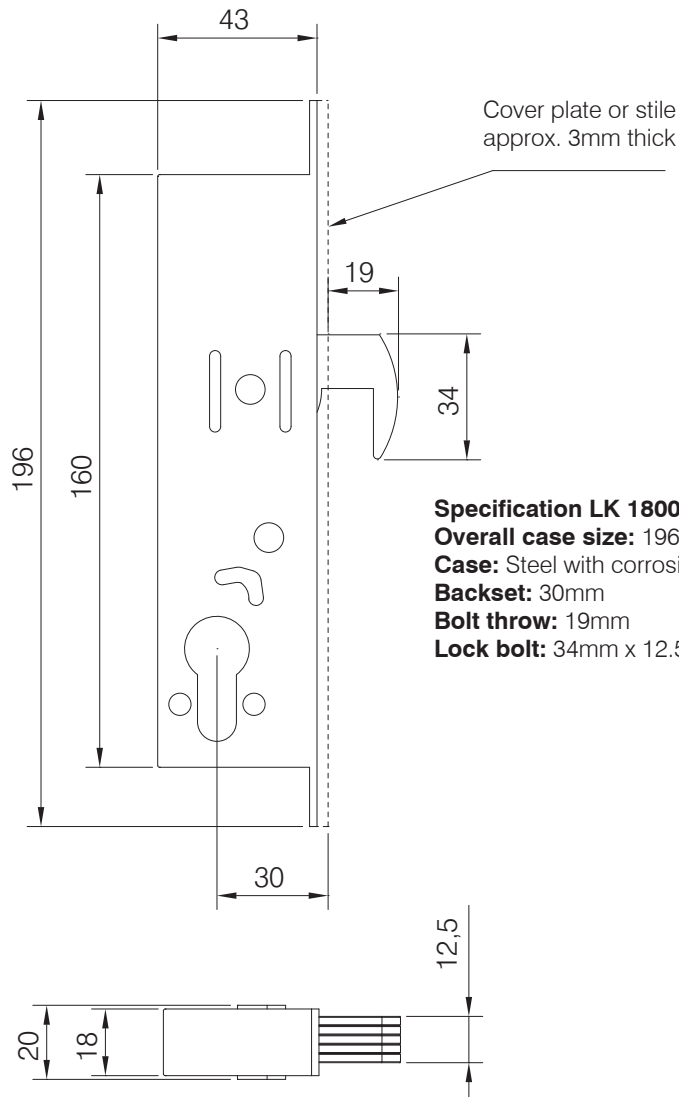
LK-1800-51-F - Flat

LK-1900-51-R - Radius



Note: See AXIM price list for alternative cylinders and finishes

LK-1800-30
Mortice hook lock
30mm backset



Specification LK 1800-30

Overall case size: 196mm x 18mm x 43mm

Case: Steel with corrosion resistant plating

Backset: 30mm

Bolt throw: 19mm

Lock bolt: 34mm x 12.5mm

Accessories

Faceplates

LK-1801-0F - Flat no woolpile - Silver

LK-1801-0R - Radius no woolpile - Silver

LK-1801-1R - Radius with woolpile - Silver

LK-1802-0F - Flat no woolpile - Silver

LK-1802-0R - Radius with woolpile - Silver

Cylinders

LK-1601-3030 - Keyed to differ

LK-1601-3030-S - Keyed alike

LK-1601-3030-SP - Keyed alike in pairs

Mortice hook locks

LK-1800-30-E - 30mm Backset Europrofile

LK-1800-30-R - 30mm Backset Round Cylinder

Mounting bridges

LK-1800-1133 - PAIR

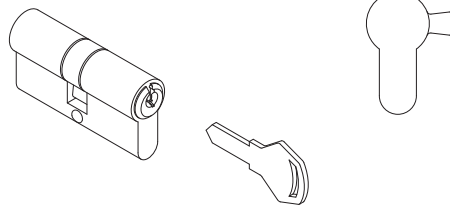
Armoured strike

LK-1800-52

Trim strike

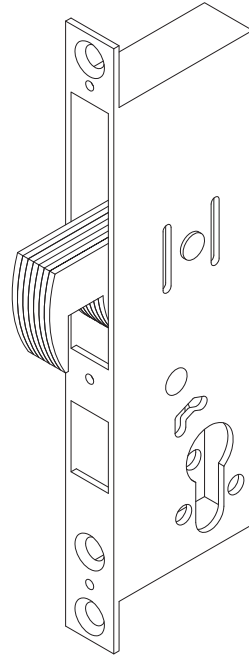
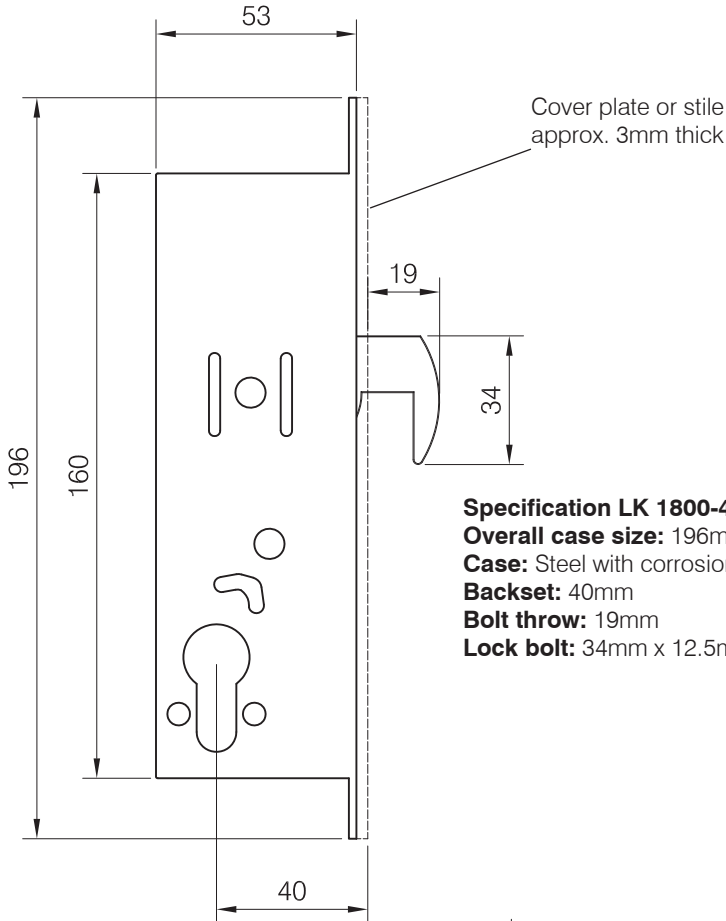
LK-1800-51-F - Flat

LK-1900-51-R - Radius



Note: See AXIM price list for alternative cylinders and finishes

LK-1800-40
Mortice hook lock
40mm backset



Specification LK 1800-40

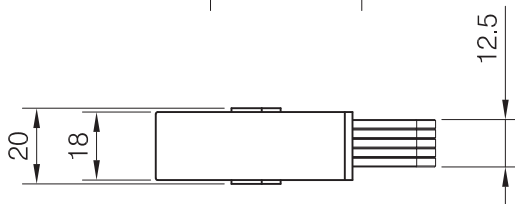
Overall case size: 196mm x 18mm x 53mm

Case: Steel with corrosion resistant plating

Backset: 40mm

Bolt throw: 19mm

Lock bolt: 34mm x 12.5mm



Accessories

Faceplates

LK-1801-0F - Flat no woolpile - Silver

LK-1801-0R - Radius no woolpile - Silver

LK-1801-1R - Radius with woolpile - Silver

LK-1802-0F - Flat no woolpile - Silver

LK-1802-0R - Radius with woolpile - Silver

Cylinders

LK-1601-3030 - Keyed to differ

LK-1601-3030-S - Keyed alike

LK-1601-3030-SP - Keyed alike in pairs

Mortice hook locks

LK-1800-40-E - 40mm Backset Europrofile

LK-1800-40-R - 40mm Backset Round Cylinder

Mounting bridges

LK-1800-1133 - PAIR

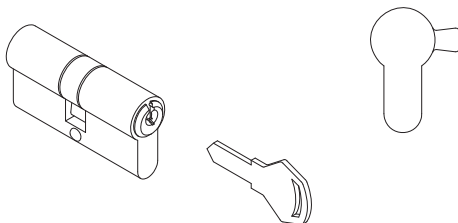
Armoured strike

LK-1800-52

Trim strike

LK-1800-51-F - Flat

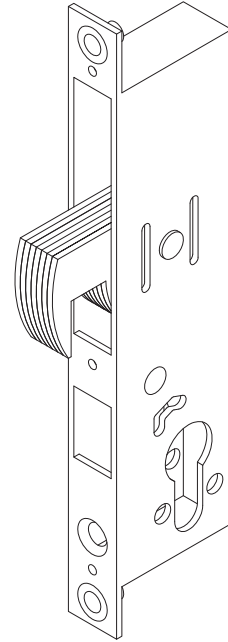
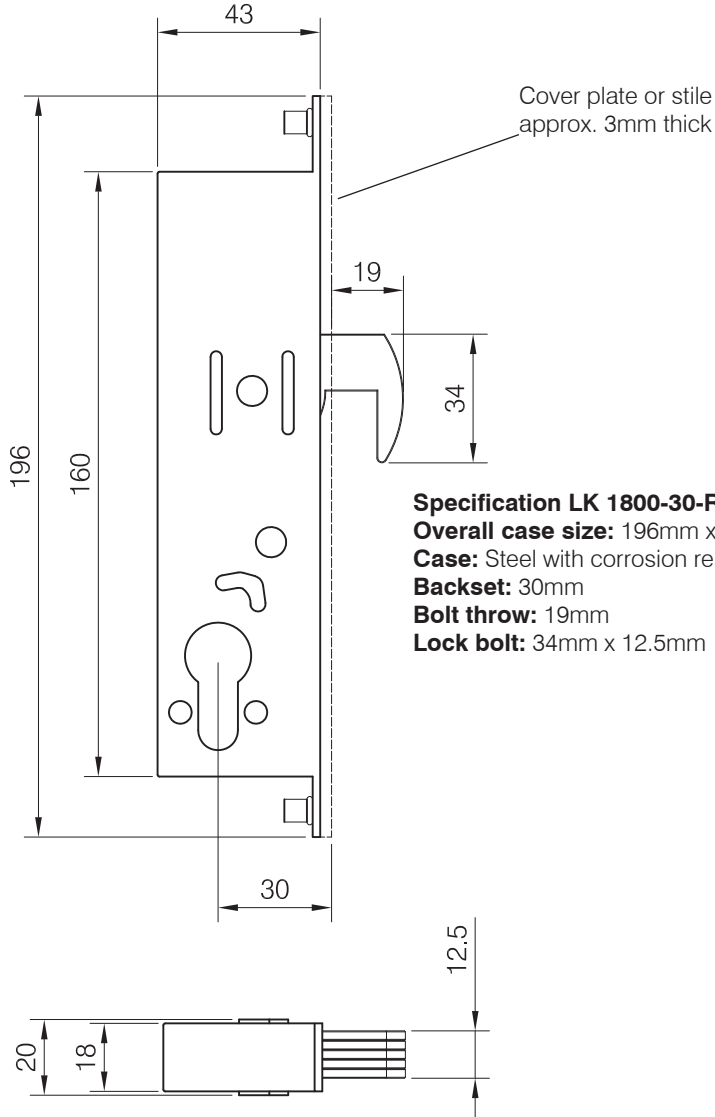
LK-1900-51-R - Radius



Note: See AXIM price list for alternative cylinders and finishes

LK-1800-30-R

Mortice hook lock
30mm backset
(Rivnut Fixing)



Specification LK 1800-30-R

Overall case size: 196mm x 18mm x 43mm

Case: Steel with corrosion resistant plating

Backset: 30mm

Bolt throw: 19mm

Lock bolt: 34mm x 12.5mm

Accessories

Faceplates

LK-1801-0F - Flat no woolpile - Silver

LK-1801-0R - Radius no woolpile - Silver

LK-1801-1R - Radius with woolpile - Silver

LK-1802-0F - Flat no woolpile - Silver

LK-1802-0R - Radius with woolpile - Silver

Cylinders

LK-1601-3030 - Keyed to differ

LK-1601-3030-S - Keyed alike

LK-1601-3030-SP - Keyed alike in pairs

Mortice hook locks

LK-1800-30-E - 30mm Backset Europrofile

LK-1800-30-R - 30mm Backset Round Cylinder

Mounting bridges

LK-1800-1133 - PAIR

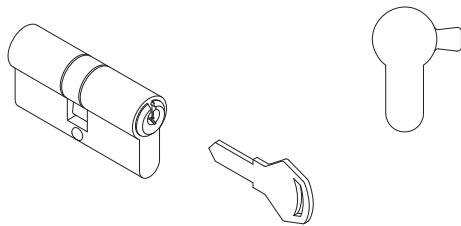
Armoured strike

LK-1800-52

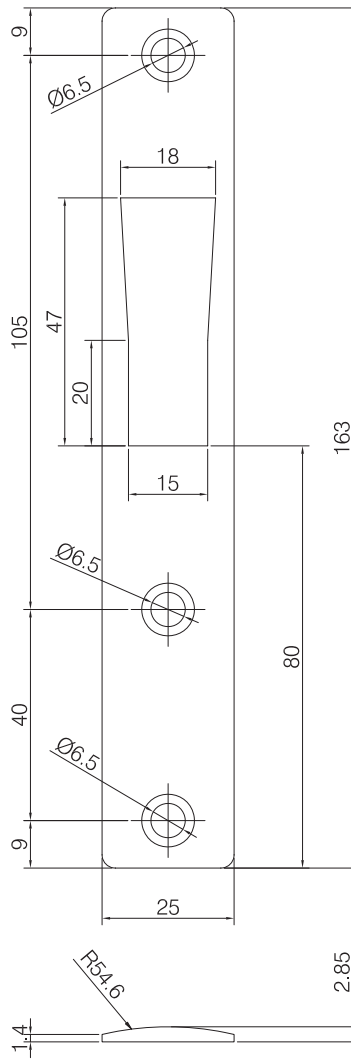
Trim strike

LK-1800-51-F - Flat

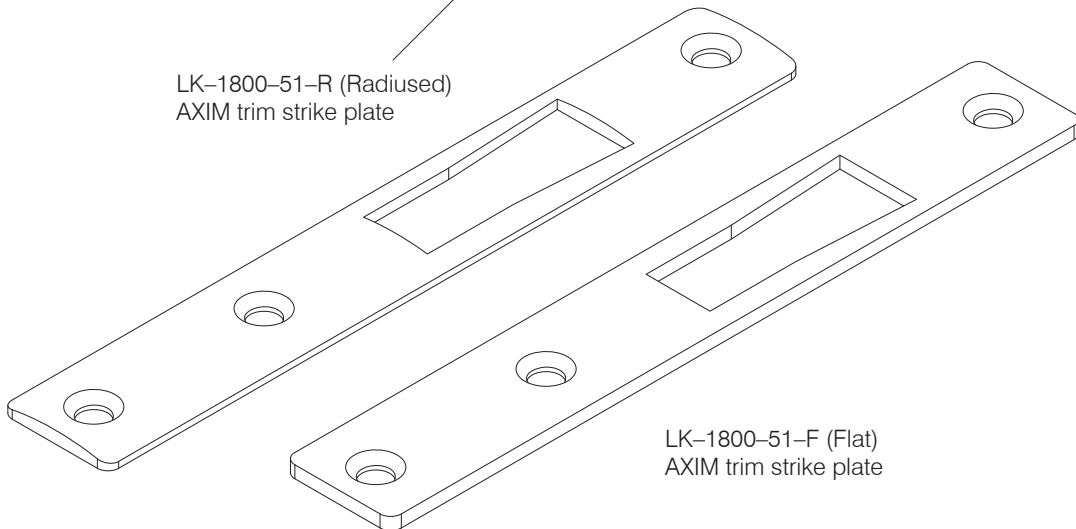
LK-1900-51-R - Radius



Note: See AXIM price list for alternative cylinders and finishes



LK-1800-51-R (Radiused)
AXIM trim strike plate



LK-1800-51-F (Flat)
AXIM trim strike plate

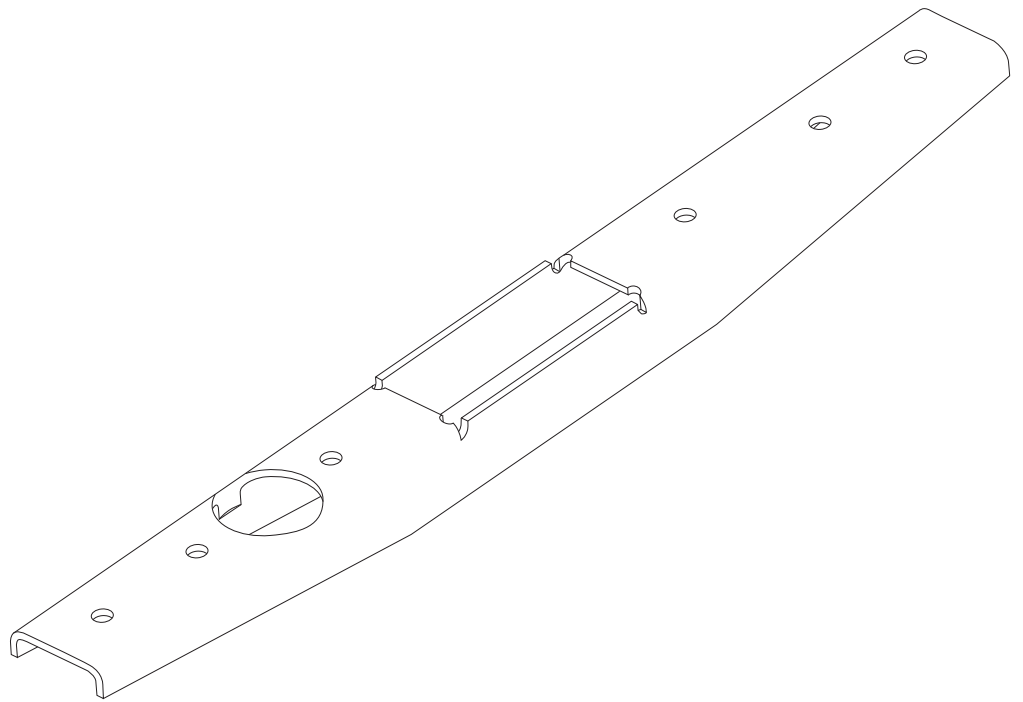
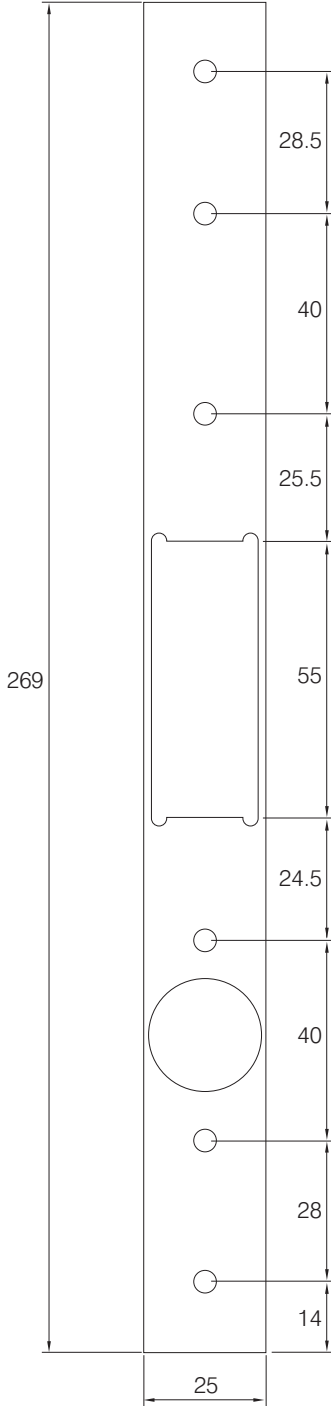


The Parkside Group Ltd

The Willow Centre
17 Willow Lane, Mitcham, Surrey, CR4 4NX
Tel: 020-8685 9685 Fax: 020-8646 5096
Email: axim@parksidegroup.co.uk
Web Site: www.axim.co.uk

SCALE	NTS @A4
DATE	JULY 2017

For scaled technical or CAD drawings,
please contact AXIM.



The Parkside Group Ltd

The Willow Centre
 17 Willow Lane, Mitcham, Surrey, CR4 4NX
 Tel: 020-8685 9685 Fax: 020-8646 5096
 Email: axim@parksidegroup.co.uk
 Web Site: www.axim.co.uk

SCALE	NTS @A4
DATE	MARCH 2014
For scaled technical or CAD drawings, please contact AXIM.	